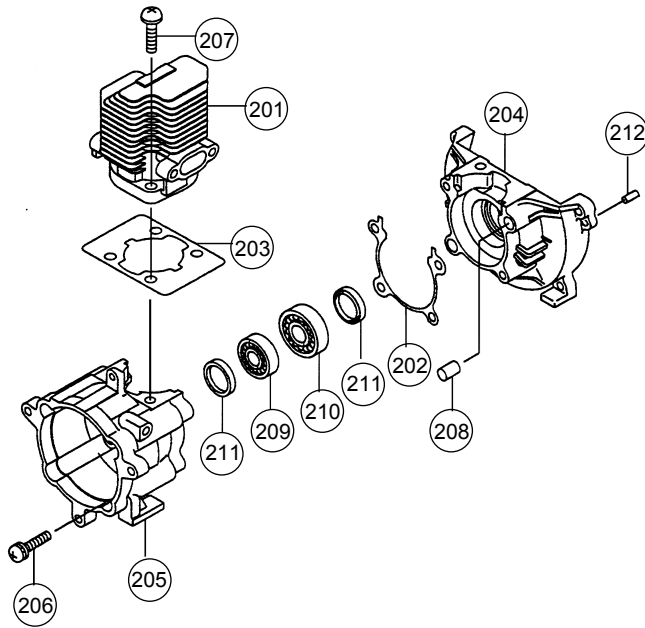


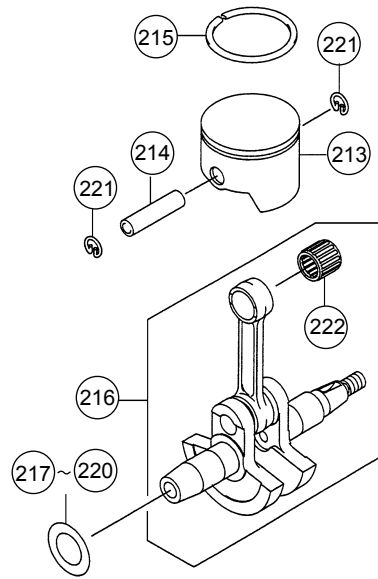
HEDGE TRIMMER

MODEL RH-400 RH-500

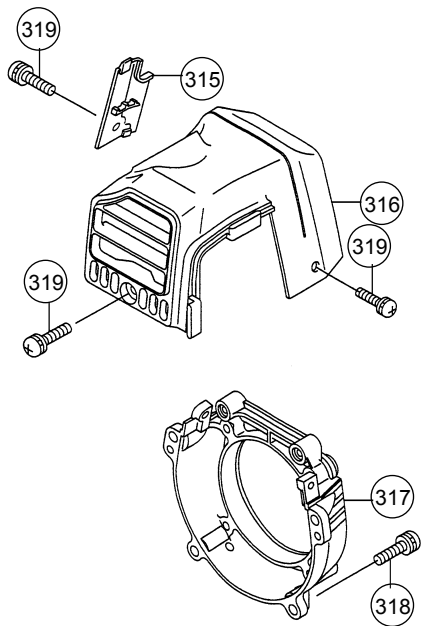
CYLINDER & CRANKCASE SYSTEM



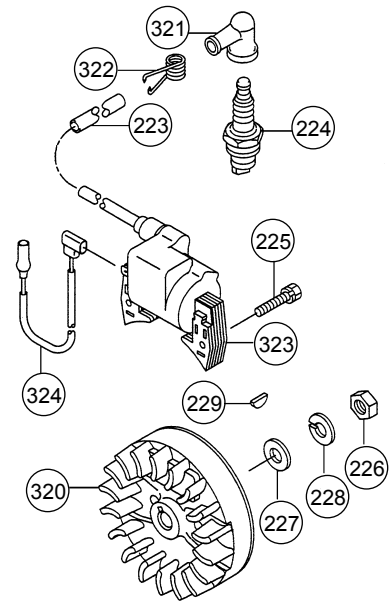
PISTON & CRANKSHAFT SYSTEM



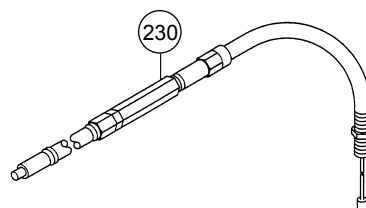
COOLING-EQUIPMENT SYSTEM



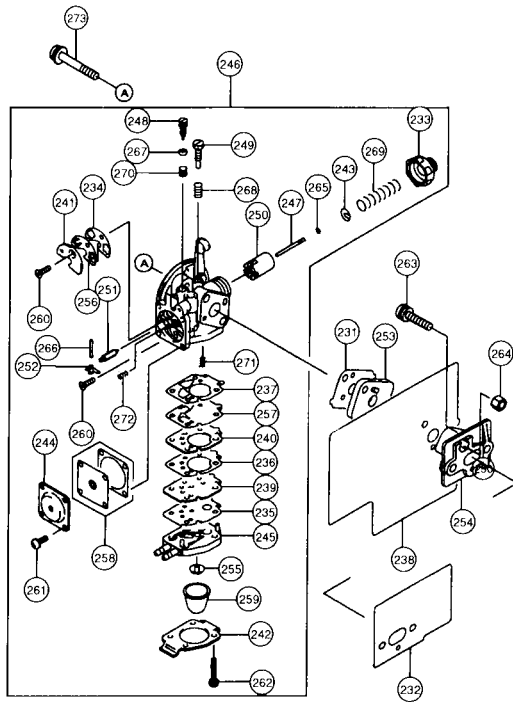
ELECTRIC-EQUIPMENT SYSTEM



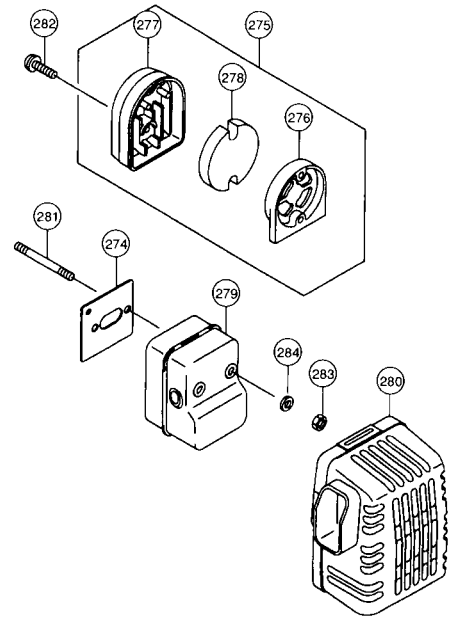
CONTROL-EQUIPMENT SYSTEM



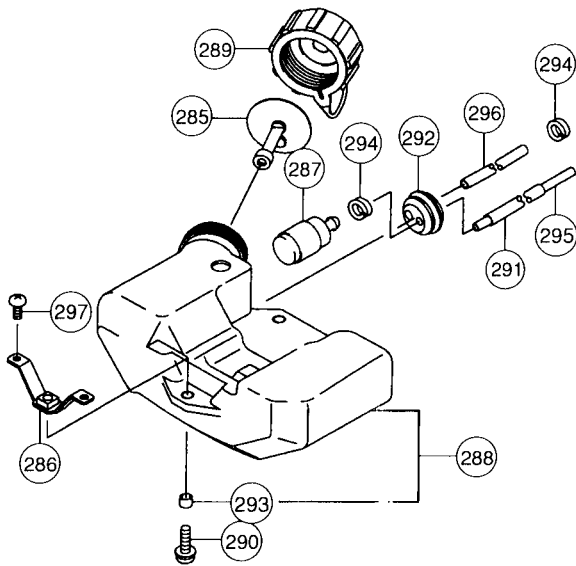
CARBURETOR SYSTEM



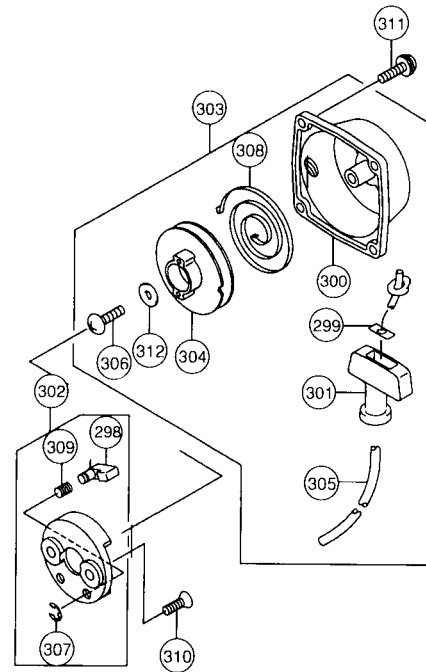
AIR-FILTER & MUFFLER SYSTEM



FUEL-TANK & FUEL-VALVE SYSTEM



STARTER SYSTEM



LABEL SYSTEM

